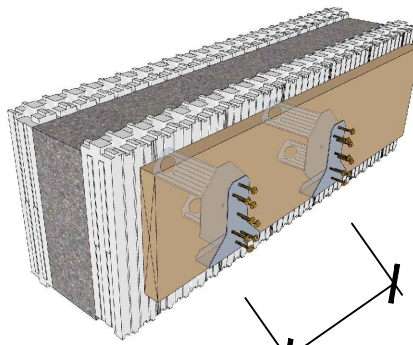
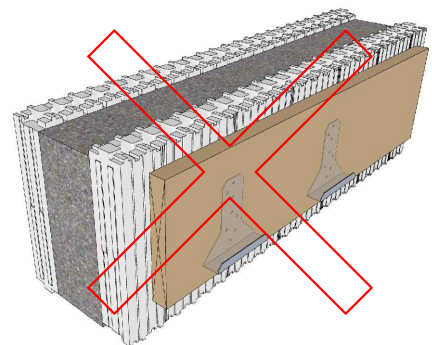


BOTTOM OF LEDGER



D.C. SPACING



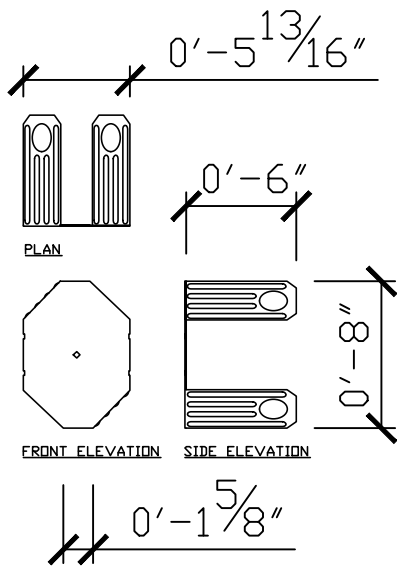
ICFVL INSTALLED PRIOR TO CONCRETE PLACEMENT

TYPICAL WOOD LEDGER INSTALLATION WITH ICFVL AND ICFVL-W

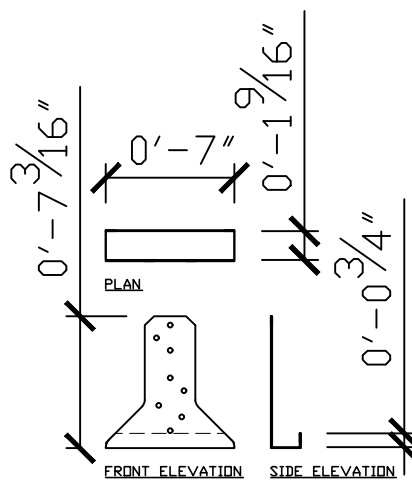
IMPROPER INSTALLATION

MINIMUM 4" ICF CORE WIDTH

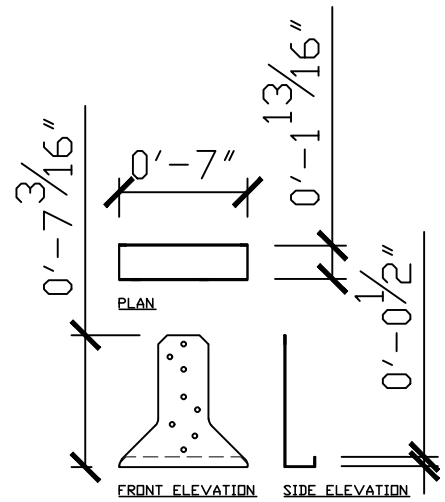
FOR SCREWS AND SPACING SEE SIMPSON'S ENGINEERING



ICFVL



ICFVL-W



ICFVL-CW



www.amvicsystem.com

AMVIC INC.
501 McNicoll Avenue
Toronto, ON M2H 2E2
Canada
Toll Free: 877-470-9991
Fax: 416-759-7402

SIMPSON STRONG-TIE
ICF CONNECTORS

Drawing Scale:	N.T.S
Creation Date:	FEB. 2018
Revision:	APR. 2018
Drawing ID Number:	AMV-SIM-001

ALL DETAILS SHALL BE CONSTRUCTED IN ACCORDANCE WITH LOCAL BUILDING CODES AND PRACTICES. AMVIC INC. RESERVES THE RIGHT TO CHANGE INFORMATION SHOWN WITHOUT NOTICE.