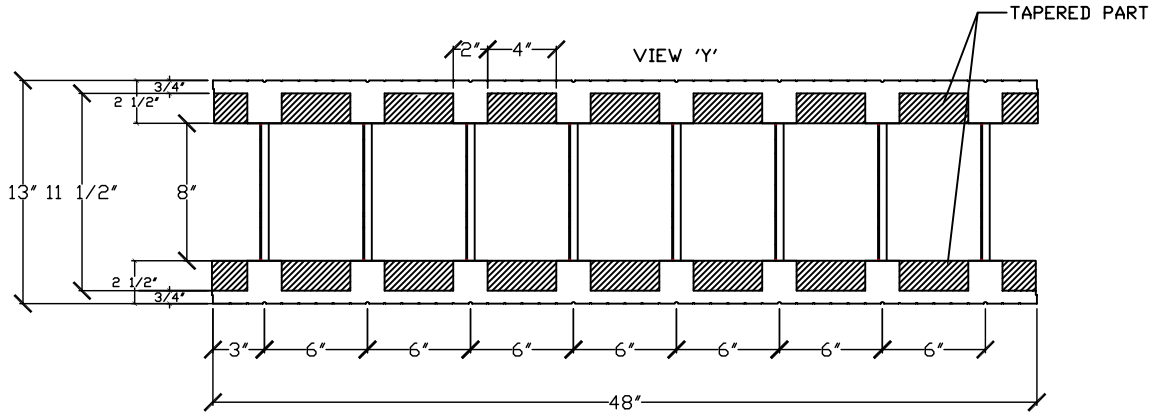
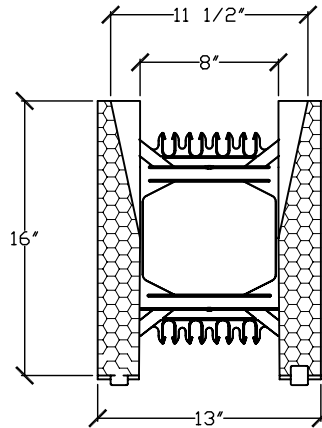


NOTE: BAR PLACEMENT  
 CANADA REFER TO CCMC # 13043-R  
 U.S. REFER TO ICC-ESR-1269

OR LOCAL BUILDING CODE  
 OR PROFESSIONAL ENGINEER  
 REQUIREMENTS



PLAN OF 8" TAPERED TOP FORM



CROSS SECTION OF 8" TAPERED TOP FORM



Website: [www.amvicsystem.com](http://www.amvicsystem.com)

AMVIC INC.  
 501 McNicoll Avenue  
 Toronto, ON M2H 2E2  
 Canada

Toll Free: 877-470-9991  
 Fax: 416-759-7402

## AMVIC 8" TAPERED TOP FORM

Drawing Scale:	1" = 1'-0"
Creation Date:	February, 2005
Item Number:	
Drawing ID Number:	AMV-FOR-010

ALL DETAILS SHALL BE CONSTRUCTED IN ACCORDANCE WITH LOCAL BUILDING CODES AND PRACTICES. AMVIC INC. RESERVES THE RIGHT TO CHANGE INFORMATION SHOWN WITHOUT NOTICE.