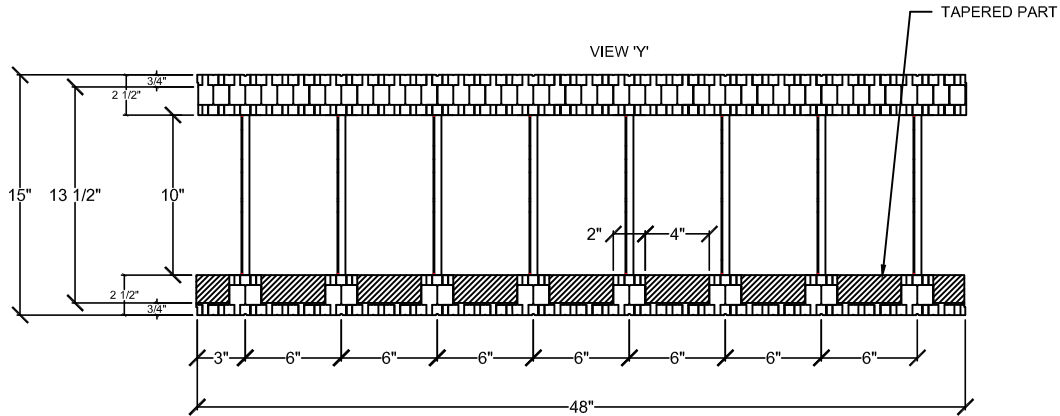
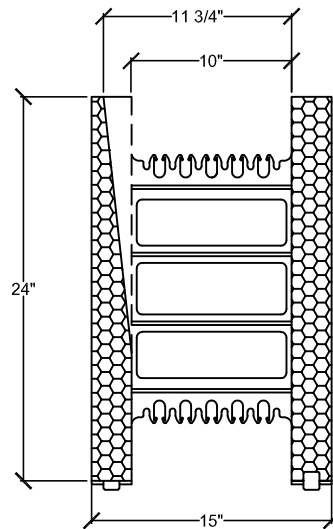


NOTE: BAR PLACEMENT
 CANADA REFER TO CCMC # 13043-R
 U.S. REFER TO ICC-ESR-1269

OR LOCAL BUILDING CODE
 OR PROFESSIONAL ENGINEER
 REQUIREMENTS



PLAN OF 10" TAPER TOP FORM



CROSS SECTION OF 10" TAPER TOP FORM



Website: www.amvicsystem.com

AMVIC INC.
 501 McNicoll Avenue
 Toronto, ON M2H 2E2
 Canada
 Toll Free: 877-470-9991
 Fax: 416-759-7402

AMVIC 10" STD. SINGLE
 TAPER TOP FORM

Drawing Scale: 1" = 1'-0"

Creation Date: November, 2016

Revision:

Drawing ID Number:

ALL DETAILS SHALL BE CONSTRUCTED IN ACCORDANCE WITH LOCAL BUILDING
 CODES AND PRACTICES. AMVIC INC. RESERVES THE RIGHT TO CHANGE
 INFORMATION SHOWN WITHOUT NOTICE.