



*Most Widely Accepted and Trusted*

# ICC-ES Evaluation Report

# ESR-2312

ICC-ES | (800) 423-6587 | (562) 699-0543 | [www.icc-es.org](http://www.icc-es.org)

Reissued 05/2019  
This report is subject to renewal 05/2020.

**DIVISION: 03 00 00—CONCRETE**

**SECTION: 03 11 19—INSULATING CONCRETE FORMING**

**REPORT HOLDER:**

**AMVIC INCORPORATED**

**EVALUATION SUBJECT:**

**AMDECK® FLOOR AND ROOF INSULATION SHAPES**



*“2014 Recipient of Prestigious Western States Seismic Policy Council (WSSPC) Award in Excellence”*



*ICC-ES Evaluation Reports are not to be construed as representing aesthetics or any other attributes not specifically addressed, nor are they to be construed as an endorsement of the subject of the report or a recommendation for its use. There is no warranty by ICC Evaluation Service, LLC, express or implied, as to any finding or other matter in this report, or as to any product covered by the report.*



# ICC-ES Evaluation Report

**ESR-2312**

Reissued May 2019

This report is subject to renewal May 2020.

[www.icc-es.org](http://www.icc-es.org) | (800) 423-6587 | (562) 699-0543

A Subsidiary of the International Code Council®

**DIVISION: 03 00 00—CONCRETE**

**Section: 03 11 19—Insulating Concrete Forming**

**REPORT HOLDER:**

**AMVIC INCORPORATED**

**EVALUATION SUBJECT:**

**AmDeck® FLOOR AND ROOF INSULATION SHAPES**

## 1.0 EVALUATION SCOPE

**Compliance with the following codes:**

- 2009 *International Building Code*® (IBC)
- 2009 *International Residential Code*® (IRC)
- 2013 *Abu Dhabi International Building Code* (ADIBC)<sup>†</sup>

<sup>†</sup>The ADIBC is based on the 2009 IBC. 2009 IBC code sections referenced in this report are the same sections in the ADIBC.

**Property evaluated:**

Surface burning characteristics

## 2.0 USES

The AmDeck® Floor and Roof Shapes are nonstructural, modular insulation units used to construct concrete floor and roof assemblies used in Type V-B construction under the IBC, and for structures under the IRC utilizing provisions of this report.

## 3.0 DESCRIPTION

### 3.1 General:

The AmDeck® Floor and Roof Insulating Shapes have recesses on the top and bottom for concrete in-fill and cold-formed steel framing members, respectively. The cold-formed steel framing members, spaced at 16 inches (406 mm) on center, are used to support the AmDeck shapes during construction, and are to be the framing members supporting the interior finish.

### 3.2 Material:

AmDeck® shapes are expanded foam plastic molded from expanded polystyrene (EPS) beads reinforced with injection-molded polypropylene webs (see Figure 1). AmDeck shapes have a minimum density of 1.35 lbs/ft<sup>3</sup> (21.6 kg/m<sup>3</sup>) and comply with ASTM C578, Type II. The foam plastic has a flame-spread index of 25 or less and a smoke-developed index of 450 or less when tested in accordance with ASTM E84.

## 4.0 DESIGN AND INSTALLATION

### 4.1 Design:

Both the structural reinforced concrete placed over the AmDeck® shapes and the cold-formed steel ceiling framing members must be designed in accordance with the IBC. The reinforced concrete must be designed as a reinforced concrete, one-way slab. For use under the IRC, both reinforced concrete and steel framing must be designed in accordance with IRC Section R301.1.3.

### 4.2 Installation:

The installation must be in accordance with the manufacturer's installation instructions and the approved construction documents.

### 4.3 Thermal Barrier:

The shapes must be finished on the interior side (ceiling side) with a thermal barrier of 1/2-inch-thick (16 mm), regular gypsum wallboard complying with ASTM C36 or ASTM C1396, fastened at 8 inches (203 mm) on center to each cold-formed steel ceiling framing member spaced at 16 inches (406 mm) on center. Gypsum wallboards are mechanically installed perpendicular to the steel joists with 1 1/2-inch Type S screws.

### 4.4 Special Inspection:

Special inspection in accordance with IBC Sections 1704.1 and 1704.15 are required under both the IBC and the IRC.

## 5.0 CONDITIONS OF USE

The AmDeck® Floor and Roof Insulation Shapes described in this report comply with, or are suitable alternatives to what is specified in, those codes listed in Section 1.0 of this report, subject to the following conditions:

- 5.1** Installation complies with this report, the manufacturer's installation instructions and the applicable code. In case of a conflict, this report governs.
- 5.2** AmDeck® Floor and Roof Insulation Shapes are limited to use in Type V-B construction under the IBC, and structures under the IRC utilizing provisions of this report.
- 5.3** Where the probability of termite infestation is defined by the code official as "very heavy", the foam plastic must be installed in accordance with IBC Section 2603.8 or IRC Section R318.4, as applicable. Areas of very heavy termite infestation must be determined in accordance with IBC Figure 2603.8 or IRC Figure R301.2(6), as applicable.

- 5.4 The AmDeck shapes must be separated from the building interior with a thermal barrier as described in Section 4.3 of this report.
- 5.5 Use of the insulating shapes to support code-required loads in addition to all construction loads is outside the scope of this report.
- 5.6 Special inspection is required in accordance with Section 4.4 of this report.
- 5.7 The shapes are manufactured at the Amvic® facility in Toronto, Ontario, Canada, under a quality control program with inspections conducted by ICC-ES.

## 6.0 EVIDENCE SUBMITTED

Data in accordance with the ICC-ES Acceptance Criteria for Foam Plastic Insulation (AC12), dated February 2011; including reports of tests in accordance with UL 1715.

## 7.0 IDENTIFICATION

- 7.1 Each shape is identified by a label indicating the manufacturer's name (Amvic) and address, the product name, and the evaluation report number (ESR-2312).
- 7.2 The report holder's contact information is the following:

**AMVIC INCORPORATED**  
**501 McNICOLL AVENUE**  
**TORONTO, ONTARIO M2H 2E2**  
**CANADA**  
**(416) 410-5674**  
[www.amvicsystem.com](http://www.amvicsystem.com)

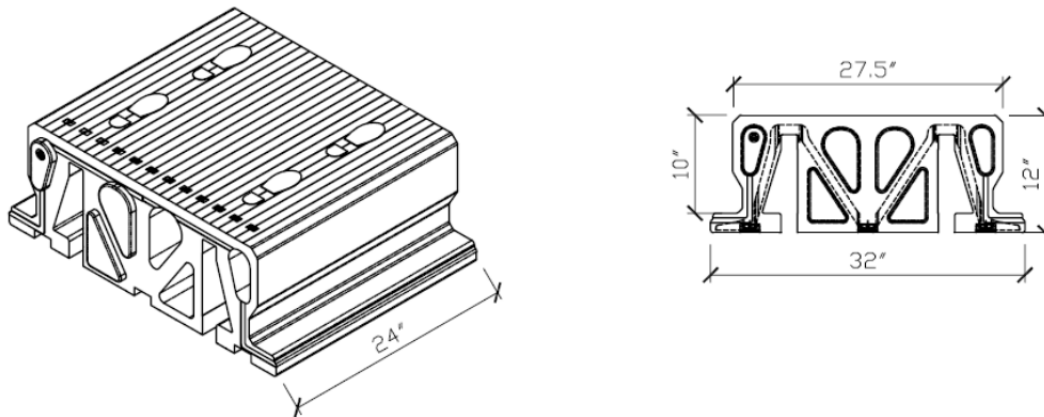


FIGURE 1—AMDECK® FLOOR AND ROOF INSULATION SHAPES