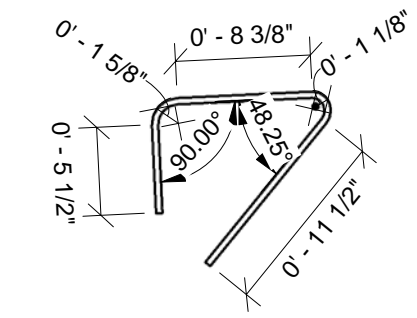
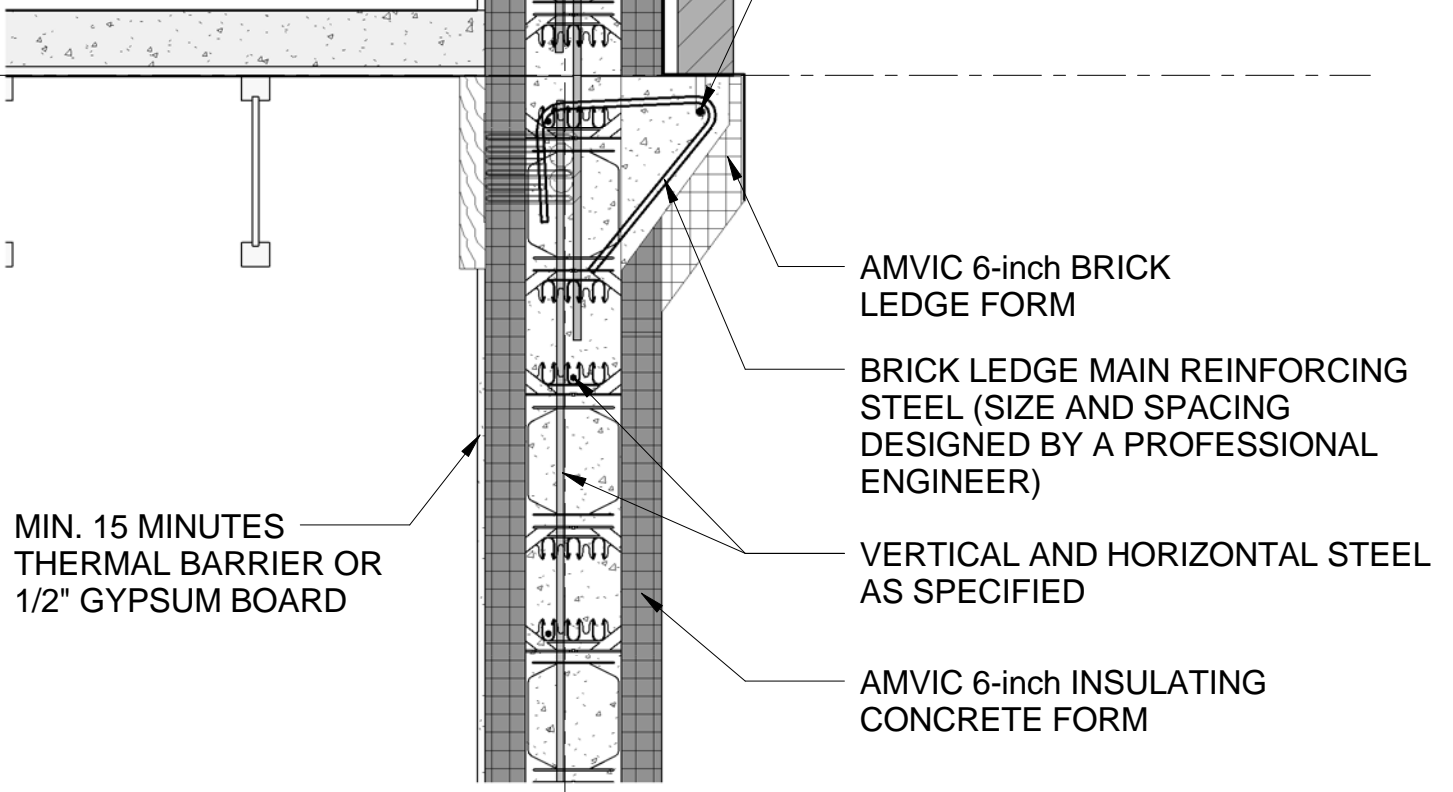


NOTE: FOR REBAR PLACEMENT
 CANADA REFER TO CCMC # 13043-R
 U.S. REFER TO ICC-ESR-1269
 OR
 LOCAL BUILDING CODE OR PROFESSIONAL
 ENGINEER REQUIREMENTS

ALL DETAILS SHALL BE CONSTRUCTED IN
 ACCORDANCE WITH LOCAL BUILDING
 CODES AND PRACTICES. AMVIC, INC.
 RESERVES THE RIGHT TO CHANGE
 INFORMATION SHOWN WITHOUT NOTICE.



BRICK LEDGE MAIN
 REINFORCING STEEL



BRICK VENEER

Min. 25mm [1"] AIR SPACE

WATERPROOFING
 MEMBRANE AND FLASHING

10M [#4] CONTINUOUS BAR

AMVIC 6-inch BRICK
 LEDGE FORM

BRICK LEDGE MAIN REINFORCING
 STEEL (SIZE AND SPACING
 DESIGNED BY A PROFESSIONAL
 ENGINEER)

VERTICAL AND HORIZONTAL STEEL
 AS SPECIFIED

AMVIC 6-inch INSULATING
 CONCRETE FORM

MIN. 15 MINUTES
 THERMAL BARRIER OR
 1/2" GYPSUM BOARD

1 6-inch ICF Wall Section at Brick Ledge
 1" = 1'-0"



www.amvicsystem.com

501 McNicoll Avenue, Toronto, ON M2H 2E2
 Tel.: (877) 470-9991 Fax: (416) 759-7402

General

AMVIC

6-inch TO 6-inch ICF WALL SECTION
 AT BRICK LEDGE

Drawing ID AMVIC-LDG-102

Date February 2011

Drawn by MB

Checked by MB

LDG-101

Scale 1" = 1'-0"