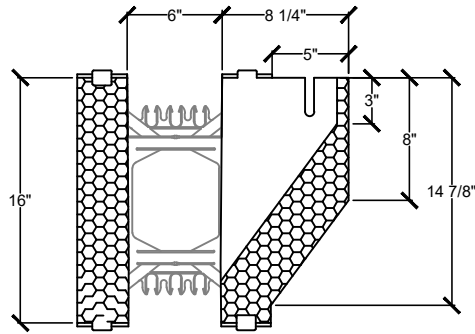
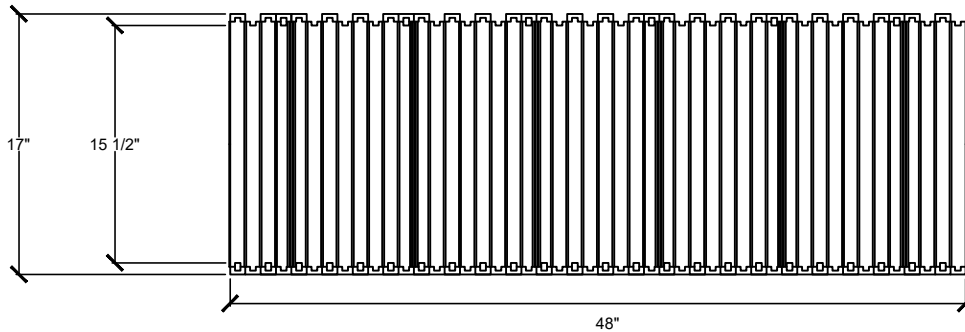


NOTE: BAR PLACEMENT  
 CANADA REFER TO CCMC # 13043-R  
 U.S. REFER TO ICC-ESR-1269

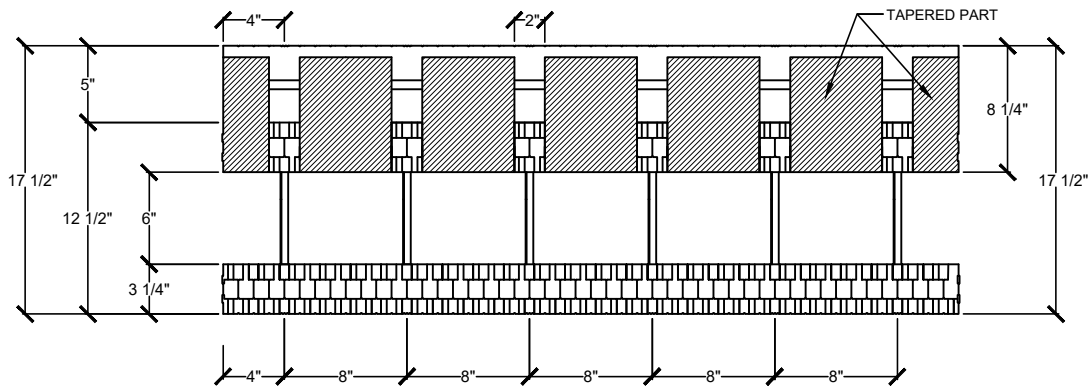
OR LOCAL BUILDING CODE  
 OR PROFESSIONAL ENGINEER  
 REQUIREMENTS



SECTION VIEW



ELEVATION VIEW



PLAN VIEW



Website: [www.amvicsystem.com](http://www.amvicsystem.com)

AMVIC INC.  
 501 McNicoll Avenue  
 Toronto, ON M2H 2E2  
 Canada  
 Toll Free: 877-470-9991  
 Fax: 416-759-7402

AMVIC R30 - 6" BRICK  
 LEDGE

Drawing Scale:	N.T.S.
----------------	--------

Creation Date:	SEPT. 2018
----------------	------------

Item Number:	N/A
--------------	-----

Drawing ID Number:	N/A
--------------------	-----

ALL DETAILS SHALL BE CONSTRUCTED IN ACCORDANCE WITH LOCAL BUILDING CODES AND PRACTICES. AMVIC INC. RESERVES THE RIGHT TO CHANGE INFORMATION SHOWN WITHOUT NOTICE.