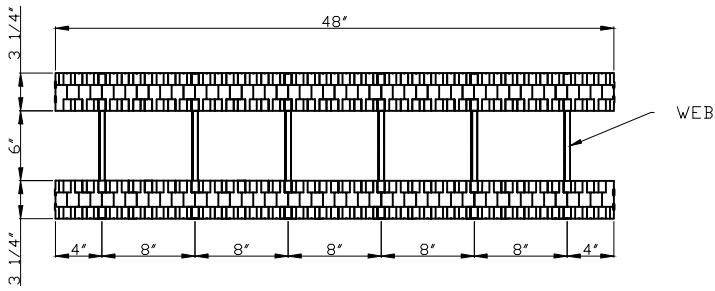
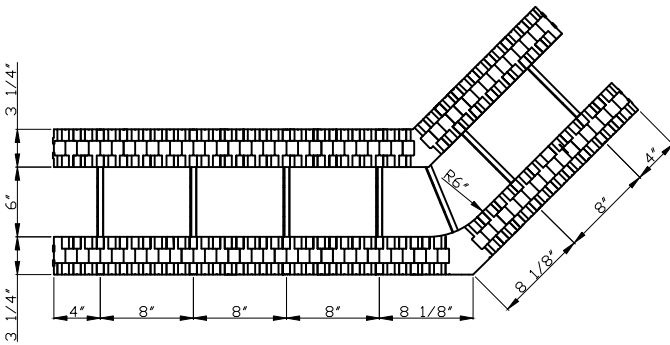


NOTE: BAR PLACEMENT
 CANADA REFER TO CCMC # 13043-R
 U.S. REFER TO ICC-ESR-1269

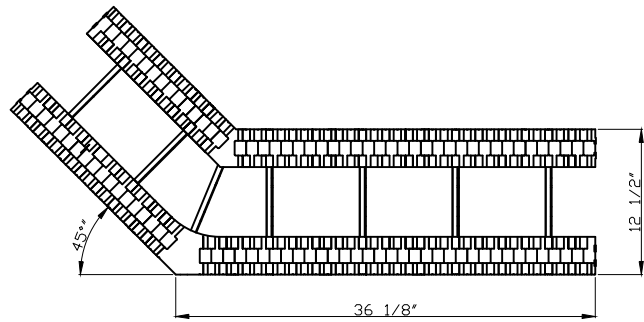
OR LOCAL BUILDING CODE
 OR PROFESSIONAL ENGINEER
 REQUIREMENTS



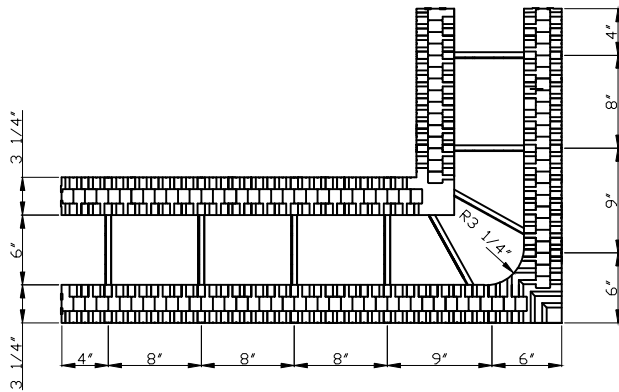
PLAN OF
 STRAIGHT BLOCK



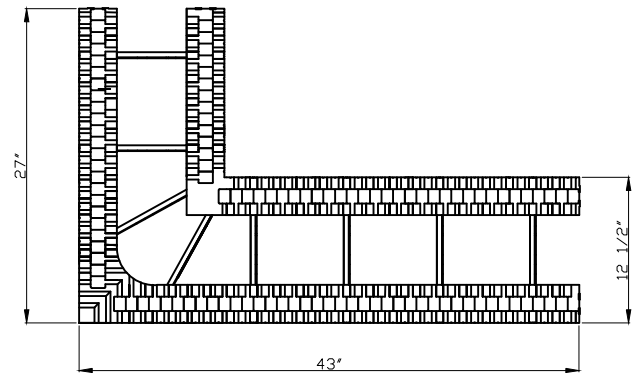
REVERSIBLE 45° CORNER
 BLOCK LEFT ORIENTED



REVERSIBLE 45° CORNER
 BLOCK RIGHT ORIENTED



REVERSIBLE 90° CORNER
 BLOCK LEFT ORIENTED



REVERSIBLE 90° CORNER
 BLOCK RIGHT ORIENTED



Website: www.amvic.com

AMVIC INC.
 501 McNicoll Avenue
 Toronto, ON M2H 2E2
 Canada
 Toll Free: 877-470-9991
 Fax: 416-759-7402

AMVIC STANDARD
 FORMS 6"

Drawing Scale:	NTS
Creation Date:	JUN. 05 (REV-B)
Item Number:	BLO066, 607, 608
Drawing ID Number:	AMV-FOR-002

ALL DETAILS SHALL BE CONSTRUCTED IN ACCORDANCE WITH LOCAL BUILDING CODES AND PRACTICES. AMVIC INC. RESERVES THE RIGHT TO CHANGE INFORMATION SHOWN WITHOUT NOTICE.