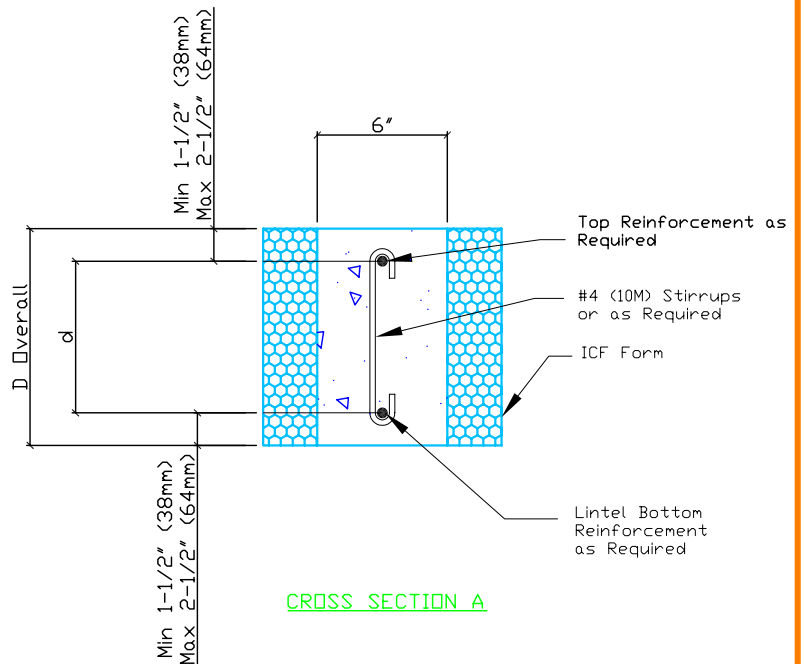
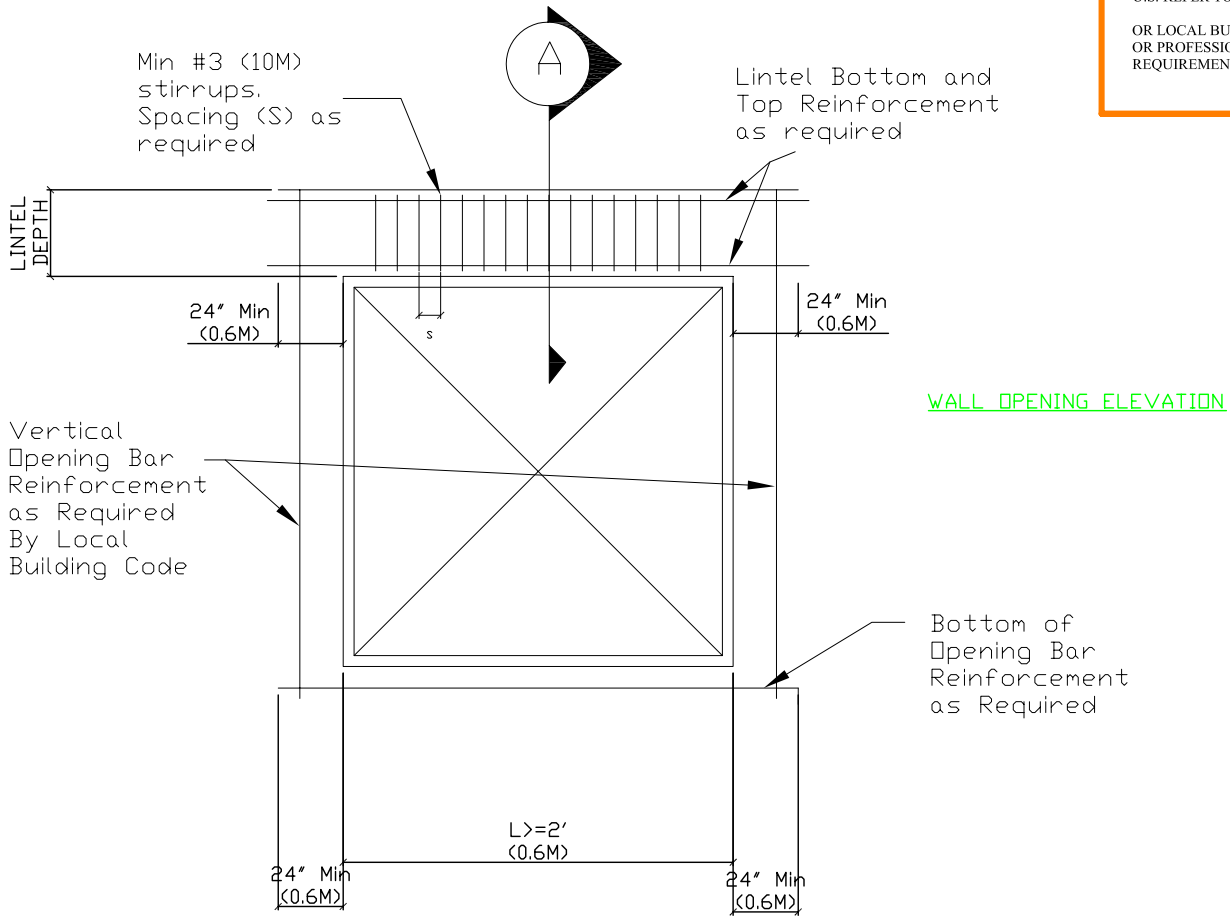


NOTE: BAR PLACEMENT
 CANADA REFER TO CCMC # 13043-R
 U.S. REFER TO ICC-ESR-1269

OR LOCAL BUILDING CODE
 OR PROFESSIONAL ENGINEER
 REQUIREMENTS



PROVIDE LINTEL REBARS AND STIRRUPS ABOVE WALL OPENINGS AS PER DETAILS SHOWN ABOVE. LINTEL REBAR SIZE AND SPACING AS PER AMVIC LINTEL CHARTS OR APPLICABLE BUILDING CODE/PROFESSIONAL ENGINEER REQUIREMENTS. ALL OTHER SIDES OF WALL OPENING TO BE REINFORCED WITH MIN 2- #5 (15M) VERTICAL AND HORIZONTAL AND EXTEND 24" (0.6M) PAST OPENING. PROVIDE MIN 2- #4 (10M) DIAGONAL REBARS, 36" LONG AT CORNERS



Website: www.amvicsystem.com

AMVIC INC.
 501 McNicoll Avenue
 Toronto, ON M2H 2E2
 Canada
 Toll Free: 877-470-9991
 Fax: 416-759-7402

WALL OPENINGS

Drawing Scale:	N/A
Creation Date:	JULY, 2004
Revision:	-
Drawing ID Number:	AMV-OPE-002

ALL DETAILS SHALL BE CONSTRUCTED IN ACCORDANCE WITH LOCAL BUILDING CODES AND PRACTICES. AMVIC INC. RESERVES THE RIGHT TO CHANGE INFORMATION SHOWN WITHOUT NOTICE.