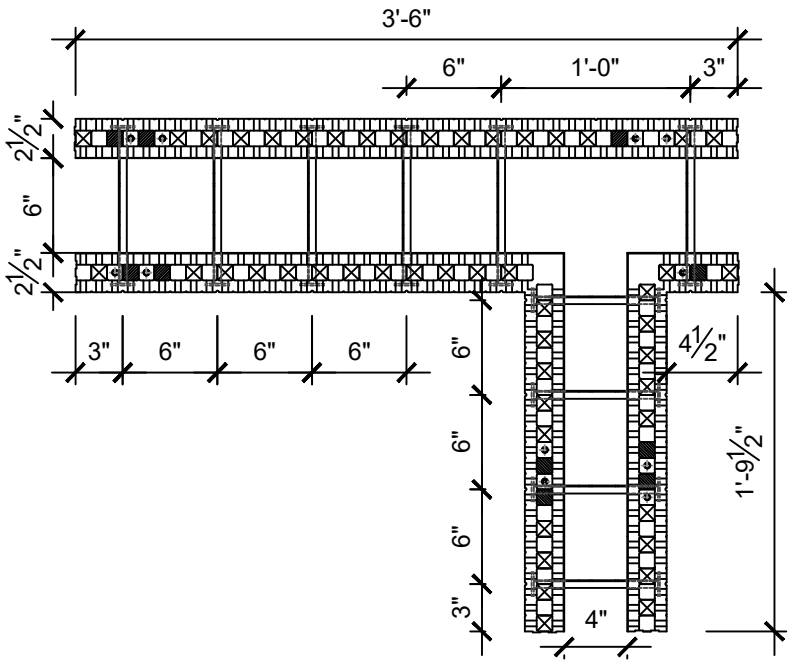


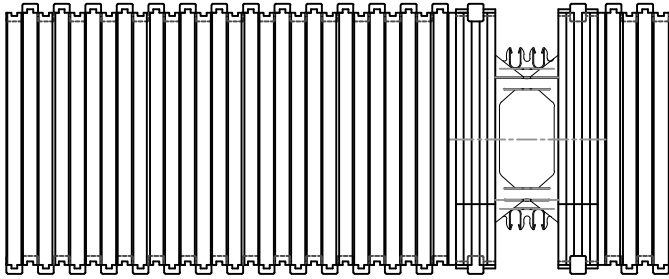
NOTE: BAR PLACEMENT
 CANADA REFER TO CCMC # 13043-R
 U.S. REFER TO ICC-ESR-1269

OR LOCAL BUILDING CODE
 OR PROFESSIONAL ENGINEER
 REQUIREMENTS

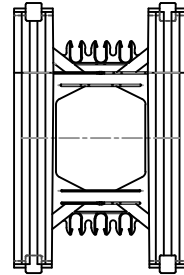


VIEW 'S'

VIEW 'R'



VIEW 'R'



6" SECTION

amvic
 building
 system
 Website: www.amvicsystem.com

AMVIC INC.
 501 McNicoll Avenue
 Toronto, ON M2H 2E2
 Canada
 Toll Free: 877-470-9991
 Fax: 416-759-7402

AMVIC 6" STD.
 T-Block 6" to 4"

Drawing Scale:	1" = 1'-0"
Creation Date:	February 2017

ALL DETAILS SHALL BE CONSTRUCTED IN ACCORDANCE WITH LOCAL BUILDING CODES AND PRACTICES. AMVIC INC. RESERVES THE RIGHT TO CHANGE INFORMATION SHOWN WITHOUT NOTICE.

Revision:	
Drawing ID Number:	